

CITY-01

by Vicente Soto

DESCRIPTION

Straight bench for indoor and outdoor use in covered premises.

Made of steel sheet with anti-rust treatment over its entirety, equipped on one end with a straight support and on the other a cylindrical base.

Made of steel sheet with anti-rust treatment over its entirety, equipped on one end with a straight support and on the other a cylindrical base.

There are additional models available in the same series: with planter (ref.CITY-02) and curved shapes, with or without planter (ref. CITY-11 and CITY-22).

ACCESSORIES: straight backrest (ref.CITY-91) or curved backrest (ref. CITY-92), both in stainless steel tubing with polished glossy finish.

MAINTENANCE

For general cleaning, use soapy water or a mild detergent and rinse with a damp cloth (cotton cloth).

Dry thoroughly.

In case of stubborn dirt, use a non-metallic scrubber with light pressure.

Avoid abrasive products that may scratch the surface or disinfectants containing bleach (sodium hypochlorite).

MATERIAL

Seat: steel 5 mm

Cylindrical base: 2 mm steel

FINISH

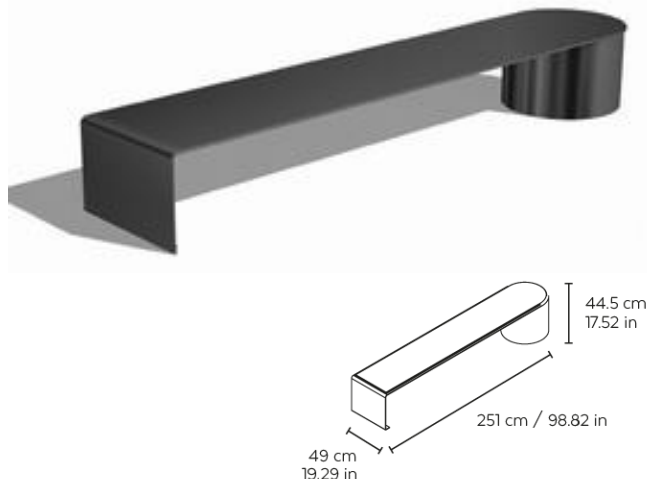
Anti-rust and paint coats



Blanco
White
Blanc
Weiß



Negro
Black
Noir
Schwarz



PRODUCT MEASURES

Measures: 251x49x44,5 cm.

Weight 55 kg.

PACKAGING MEASURES

Packaging measures: 254x53x53 cm.

Packaging weight: 60 kg.

WARRANTY

Two-year warranty under normal conditions of use and maintenance.

CERTIFICATES

Designed for total product recyclability. Vilagrassa (Grupo Resol) manufactures all its products according to a Comprehensive Quality and Sustainability System, ISO 9001:2015 and ISO 14001:2015 certified.

CITY-02 by Vicente Soto

DESCRIPTION

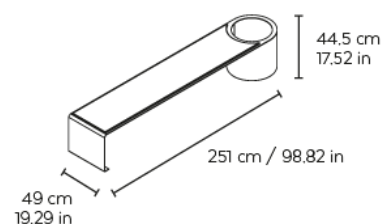
Straight bench with planter for indoor and outdoor use in covered premises.

Made of steel sheet with anti-rust treatment over its entirety, equipped on one end with a straight support and on the other a cylindrical base.

Its design allows creating a variety of configurations by combining several items at the same time.

There are additional models available in the same series: without planter (ref.CITY-01) and curved shapes, with or without planter (ref. CITY-11 and CITY-22).

ACCESSORIES: straight backrest (ref.CITY-91) or curved backrest (ref. CITY-92), both in stainless steel tubing with polished glossy finish.



MAINTENANCE

For general cleaning, use soapy water or a mild detergent and rinse with a damp cloth (cotton cloth).

Dry thoroughly.

In case of stubborn dirt, use a non-metallic scrubber with light pressure.

Avoid abrasive products that may scratch the surface or disinfectants containing bleach (sodium hypochlorite).

MATERIAL

Seat: steel 5 mm

Cylindrical base: 2 mm steel

FINISH

Anti-rust and paint coats



Blanco
White
Blanc
Weiß



Negro
Black
Noir
Schwarz

PRODUCT MEASURES

Measures: 251x49x44,5 cm

Weight: 75 kg

PACKAGING MEASURES

Packaging measures: 255x54x54 m

Weight: 75 kg

WARRANTY

Two-year warranty under normal conditions of use and maintenance.

CERTIFICATES

Designed for total product recyclability. Vilagrassa (Grupo Resol) manufactures all its products according to a Comprehensive Quality and Sustainability System, ISO 9001:2015 and ISO 14001:2015 certified.

CITY-11

by Vicente Soto

DESCRIPTION

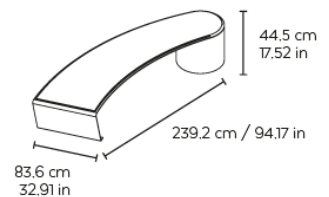
Curved bench for indoor and outdoor use in covered premises.

Made of steel sheet with anti-rust treatment over its entirety, equipped on one end with a straight support and on the other a cylindrical base.

Its design allows creating a variety of configurations by combining several items at the same time.

There are additional models available in the same series: with planter (ref.CITY-22) and curved shapes, with or without planter (ref. CITY-01 and CITY-02).

ACCESSORIES: straight backrest (ref.CITY-91) or curved backrest (ref. CITY-92), both in stainless steel tubing with polished glossy finish.



MAINTENANCE

For general cleaning, use soapy water or a mild detergent and rinse with a damp cloth (cotton cloth).

Dry thoroughly.

In case of stubborn dirt, use a non-metallic scrubber with light pressure.

Avoid abrasive products that may scratch the surface or disinfectants containing bleach (sodium hypochlorite).

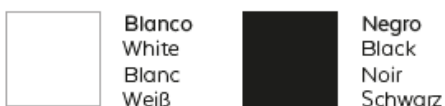
MATERIAL

Seat: steel 5 mm

Cylindrical base: 2 mm steel

FINISH

Anti-rust and paint coats



PRODUCT MEASURES

Measures: 239,2x83,6x44,5 cm

Weight: 60 kg

PACKAGING MEASURES

Packaging measures: 245x88x50 cm

Weight: 60 kg

WARRANTY

Two-year warranty under normal conditions of use and maintenance.

CERTIFICATES

Designed for total product recyclability. Vilagrassa (Grupo Resol) manufactures all its products according to a Comprehensive Quality and Sustainability System, ISO 9001:2015 and ISO 14001:2015 certified.

CITY-22

by Vicente Soto

DESCRIPTION

Curved bench with planter for indoor and outdoor use in covered premises.

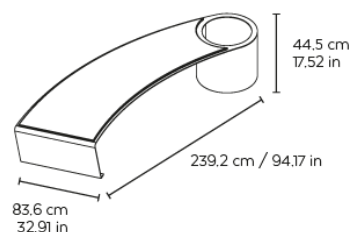
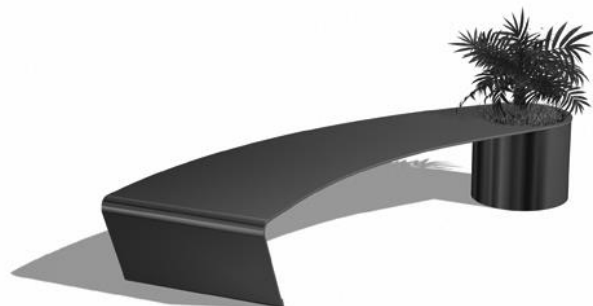
Made of steel sheet with anti-rust treatment over its entirety, equipped on one end with a straight support and the other with a cylindrical planter.

Its design allows creating a variety of configurations by combining several items at the same time.

There are additional models available in the same series: without planter (ref.CITY-11) and straight shapes, with or without planter (ref. CITY-01 and CITY-02).

ACCESSORIES: straight backrest (ref.CITY-91) or curved backrest (ref. CITY-92), both in stainless steel tubing with polished glossy finish.

Optional ground fixing.



MAINTENANCE

For general cleaning, use soapy water or a mild detergent and rinse with a damp cloth (cotton cloth).

Dry thoroughly.

In case of stubborn dirt, use a non-metallic scrubber with light pressure.

Avoid abrasive products that may scratch the surface or disinfectants containing bleach (sodium hypochlorite).

MATERIAL

Seat: steel 5 mm

Cylindrical base: 2 mm steel

FINISH

Anti-rust and paint coats



Blanco
White
Blanc
Weiß



Negro
Black
Noir
Schwarz

PRODUCT MEASURES

Measures: 239,2x83,6x44,5 cm

Weight: 80 kg

PACKAGING MEASURES

Packaging measures: 245x88x50 m

Weight: 80 kg

WARRANTY

Two-year warranty under normal conditions of use and maintenance.

CERTIFICATES

Designed for total product recyclability. Vilagrassa (Grupo Resol) manufactures all its products according to a Comprehensive Quality and Sustainability System, ISO 9001:2015 and ISO 14001:2015 certified.